

# YUNPEN USA

## YB-A1, YB-A3 SERIES

### 1. FEATURES

- General purpose filter with IEC Connector providing effective line-to-ground noise up to 10 amp., 250VAC
- Low cost
- Compact design
- 250 Fasten terminals (YB-A1)
- Solder lug terminals (YB-A3)
- All parts are approved by **UL, CSA, VDE, SEMKO, NEMKO, DEMKO** and **FIMKO**



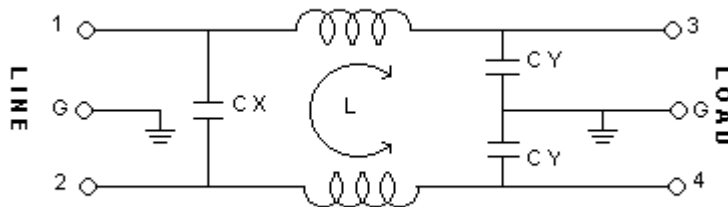
### 2. SPECIFICATIONS

ITEM \ MODEL		YB01A1/YB01A3	YB03A1/YB03A3	YB06A1/YB06A3	YB10A1/YB10A3
RATED VOLTAGE		250V AC	250V AC	250V AC	250V AC
RATED CURRENT		1A	3A	6A	10A
LEAK CURRENT		0.8mA MAX 250V,50HZ	0.8mA MAX 250V,50HZ	0.8mA MAX 250V,50HZ	0.8mA MAX 250V,50HZ
TEST VOLTAGE	LINE TO LINE	1450V DC	1450V DC	1450V DC	1450V DC
	LINE TO GROUND	2250V DC	2250V DC	2250V DC	2250V DC
INSULATION RESISTANCE		100M ohm MIN 250VDC	100M ohm MIN 250VDC	100M ohm MIN 250VDC	100M ohm MIN 250VDC
DIRECT CURRENT RESISTANCE		0.5 ohm MAX	0.2 ohm MAX	0.15 ohm MAX	0.1 ohm MAX
TEMPERATURE RISE		30C MAX	30C MAX	30C MAX	30C MAX
OPERATING TEMPERATURE		-25 ~ +85C	-25 ~ +85C	-25 ~ +85C	-25 ~ +85C
ATTENUATION	NORMAL MODE 25dbMIN	0.50 ~ 45MHZ	0.60 ~ 50MHZ	0.80 ~ 50MHZ	1.20 ~ 50MHZ
	COMMON MODE 25dbMIN	0.10 ~ 40MHZ	0.15 ~ 50MHZ	0.40 ~ 50MHZ	1.40 ~ 50MHZ
CX		0.1uF	0.1uF	0.1uF	0.1uF
CY		3300pF*2	3300pF*2	3300pF*2	3300pF*2
INDUCTANCE		3.7mH*2	1.8mH*2	0.7mH*2	0.3mH*2

### 3. NOISE ATTENUATION (dB)

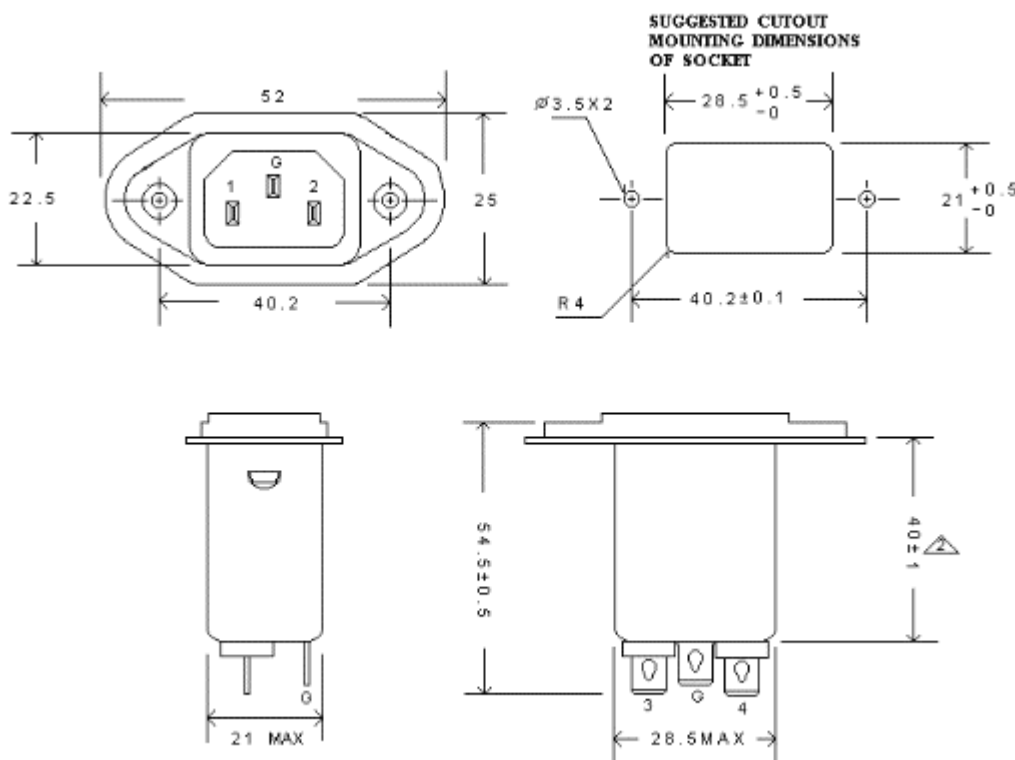
COMMON MODE (LINE TO GROUND) IN 50 OHM SYSTEM							
TYPE	CURRENT RATING	FREQUENCY-MHZ					
		0.15	0.5	1.0	5.0	10.0	30.0
YB01A1/YB01A3	1A	28	38	41	39	39	41
YB03A1/YB03A3	3A	22	32	36	36	37	38
YB06A1/YB06A3	6A	14	22	27	38	42	47
YB10A1/YB10A3	10A	6	14	17	30	36	43
DIFFERENTIAL MODE (LINE TO LINE) IN 50 OHM SYSTEM							
YB01A1/YB01A3	1A	9	18	24	42	42	41
YB03A1/YB03A3	3A	8	17	23	38	39	43
YB06A1/YB06A3	6A	7	16	22	43	43	39
YB10A1/YB10A3	10A	5	14	18	37	46	41

### 4. CIRCUIT



### 5. DIMENSION (mm)

#### YB01A1~YB10A1



#### YB01A3~YB10A3

